



# TABLE OF CONTENTS

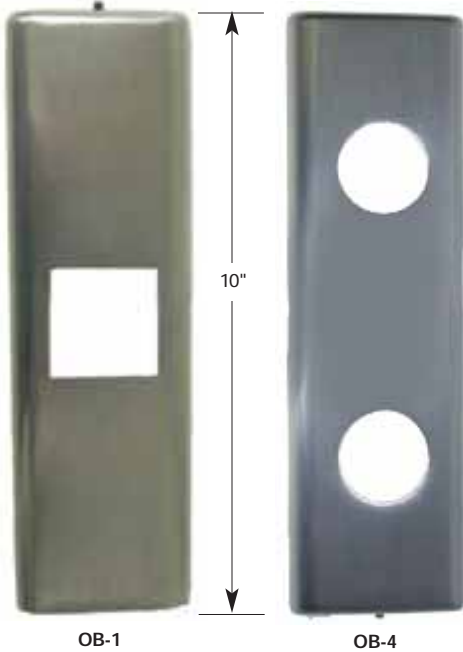
## Car Signal Components

Stainless Steel Faceplates.....	396
Buttons.....	396-397
Contact Assembly.....	398
Rotodial.....	398
Jewel.....	398
Pushbutton Switches.....	399-400
Emergency Stop Switches.....	401
Emergency Stop Switch Components.....	401
Button Module.....	402
Single Stroke Gongs.....	402
Jewel Module.....	403
Emergency Stop Keyswitch.....	403
Emergency Stop Module.....	403
Keyswitch Module.....	404
<b>Coils.....</b>	<b>405-412</b>
<b>Brush Holders.....</b>	<b>413</b>
<b>Brushes.....</b>	<b>414-415</b>
<b>Contacts.....</b>	<b>416-417, 419-420</b>
<b>Car Switch Components.....</b>	<b>418</b>
<b>Door Parts and Equipment.....</b>	<b>420-428</b>
<b>Connectors.....</b>	<b>428</b>
<b>Detector Shields.....</b>	<b>429</b>
<b>Printed Circuit Boards and Electronic Components.....</b>	<b>430-31</b>
<b>Capacitors.....</b>	<b>432</b>
<b>Resistors.....</b>	<b>433</b>
<b>Transformers.....</b>	<b>434</b>
<b>Rectifiers.....</b>	<b>434</b>
<b>Selector Parts.....</b>	<b>445-446</b>
<b>Wheels and Rollers.....</b>	<b>447-449</b>
<b>Safety Edge Components.....</b>	<b>450</b>
<b>Machine Parts and Miscellaneous Components.....</b>	<b>450-451</b>



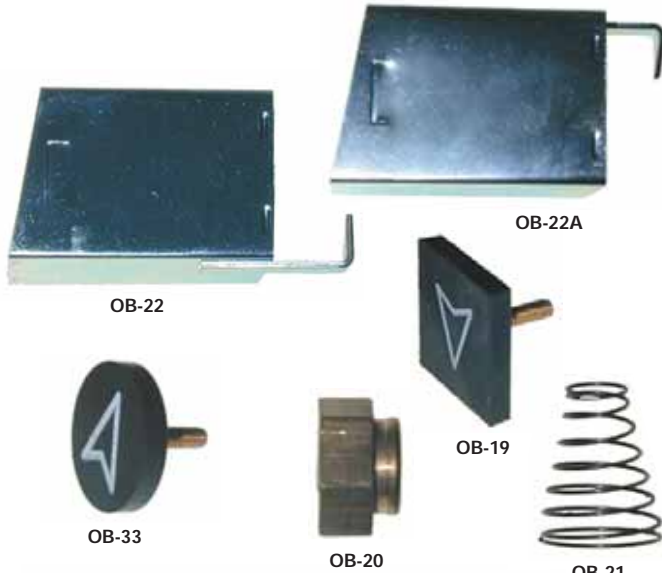
OTIS

## Car Signal Components



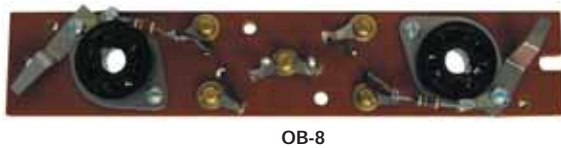
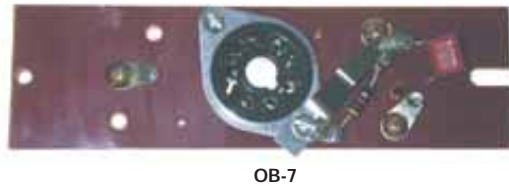
### Stainless Steel Faceplates

S.E.E.S. #	Otis #	Description
OB-1	147FD1-25	<b>Hall plate</b> , only, for one square button (1-3/4" hole), terminal floors
OB-2	147FD2-25	<b>Hall plate</b> , only, for two square buttons, (1-3/4" hole) intermediate floors
OB-3	147FD7-25	<b>Hall plate</b> , only, for one round button, (1-1/2" hole) terminal floors
OB-4	147FD8-25	<b>Hall plate</b> , only, for two round buttons, intermediate floors (1-1/2" hole)



### Buttons

S.E.E.S. #	Otis #	Description
OB-16	B306GC2	<b>Base</b> , square, clear butyrate
OB-17	306JG1	<b>Halo</b> , button, 1"
OB-18	306JH1	<b>Base</b> , clear butyrate
OB-34	306KH1	<b>Base</b> , round, clear, for OB-33
OB-34A	306KH2	<b>Base</b> , round, frosted, for OB-33
OB-22	278AN3	<b>Shield</b> , Square tube shield, R.H.
OB-22A	278AN4	<b>Shield</b> , Square tube shield, L.H.
OB-33	323BL2	<b>Button</b> , Electronic touch button, Black w/ white marking, 7/8" dia. with threaded stem, Specify marking, i.e. OB-33-ARROW
OB-19	323BH2	<b>Button</b> , Black square button with white markings, 7/8", specify marking
OB-20	72CG1	<b>Nut</b> , Touch button nut, 5-40 tap thread
OB-21	90WE14	<b>Spring</b> , cone shaped
OB-7	B6849C7	<b>Base</b> , Touch button base for touch buttons, hall terminal, single socket
OB-8	B6849C5	<b>Base</b> , Touch button base for touch buttons, intermediate hall, double socket
OB-8A	B6849C6	<b>Base</b> , Touch button base, double socket for car station





www.seesinc.com

## Car Signal Components



S.E.E.S. #	Otis #	Description
OB-24	A323BP1	<b>Button</b> , 7/8" dia. with square shaft, black with white markings, specify marking, i.e. OB-24-ARROW
OB-25	306JG2	<b>Halo</b> used on OB-24 button
OB-26	A385KC1	<b>Button guide</b> and nut for A323BP1
OB-27	306JK1	<b>Button base</b> for A323BP1
OB-27A	6600S80	<b>Mounting bracket</b> for hall pushbutton
OB-27B	147JF3-3	<b>Cover plate</b> , single, stainless steel plate 3" x 10" with one hole 1.180" diameter for OB-24 series
OB-27C	147JF4-3	<b>Cover plate</b> , double, stainless steel plate 3" x 10" with two holes 1.180" diameter for OB-24 series
OB-27D	147JF3-BR7	<b>Cover plate</b> , bronze, 1 hole
OB-27E	147JF4-BR7	<b>Cover plate</b> , bronze, 2 hole
OB-28	323AM1	<b>Button assembly</b> , complete, specify marking i.e. OB-28-2
OB-29	A385AV1	<b>Guide</b> , Push button guide
OB-30	A323AF4	<b>Button bottom</b>
OB-31	90YA26	<b>Spring</b> , 25/32" x 1" L, 2 active coils
OB-31A	323AM	<b>Button</b> , alone, black lexan button top 1" dia. with white markings, specify marking
OB-32	323AF1	<b>Button assembly</b> complete, specify marking i.e. OB-32-BLANK
OB-32A	A323AF	<b>Button</b> , alone, black lexan 7/8" dia. with white markings, specify marking i.e. OB-32A-ARROW
OB-23	MT114289	<b>Swedging tool</b> used to install OB-29 button guide for button assemblies OB-28, OB-32, and OB-50
OB-50	A323BD2	<b>Button assembly</b> complete, 1" dia. button with white marking and clear cap, replaces series 323BD, 323AF, 323AM and 323AP. Specify marking, i.e. OB-50-ARROW



OB-32



OB-32A



OB-23



OB-50

OTIS



## Car Signal Components



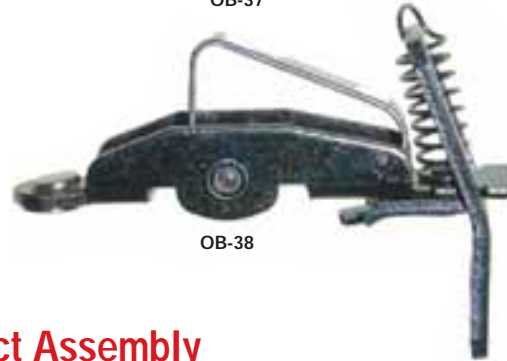
OB-35



OB-36



OB-37



OB-38



OB-39



OB-40



OB-41



OB-41A



OB-41C



OB-41B

### Contact Assembly

S.E.E.S. #	Otis #	Description
OB-35	6526G1	Contact assembly
OB-36	150H5	Contact for OB-35 contact assembly
OB-37	150H7	Contact with spring and eyelet for OB-35
OB-38	150H9	Contact with spring, eyelet and guide for OB-35 pushbutton contact assembly

### Rotodial

S.E.E.S. #	Otis #	Description
OB-39	297F1	Rotodial band, 24 slots
OB-40	428E1	Rotodial insert, 7/16" x 1", specify marking i.e. OB-40-1
OB-41	443AS1	Rotodial glass, 1-3/8"

### Jewel

S.E.E.S. #	Otis #	Description
OB-41A	499AD1	Jewel, 1-9/16" square white plexiglass with black character, specify marking i.e. OB-41A-ARROW
OB-41B	499AA1	Jewel, 1-1/8" square with 7/8" dia. round raised face, white with black character, specify marking i.e. OB-41B-1
OB-41C	499AE1-1	Jewel, 1-1/8" square with 1" diameter round raised face, white with black character, specify marking i.e. OB-41C-2



www.seesinc.com

## Car Signal Components



OB-47



OB-48



OB-49



OB-48A



OB-49A

S.E.E.S. #	Otis #	Description
OB-47	306MK1	Halo, locking
OB-48	462GR1	Spacer, felt
OB-48A	323CK1	Button actuator
OB-49	386BNM1	Plate halo, 1-5/16" dia. opening
OB-49A	250C1	Button insert, black with white markings, 7/8" dia., specify marking i.e. OB-49A-1
OB-49B	177BS1	Button Switch assembly, 2 N.O. with 120V lamp
OB-49C	PB1-0227N	Button Switch, 2 N.O. 2 N.C. 120V with lamp, 177BS2
OB-48B	306MM1	Button base

■ For complete button assembly order one each of the above items and specify marking required.



OB-48B



OB-49B



OB-49C



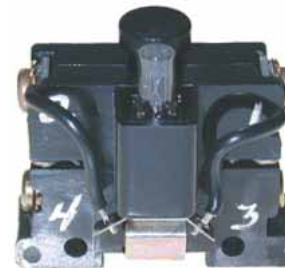
OPB-2



OPB-5



OPB-6



OPB-7



OPB-3



OPB-8

## Pushbutton Switches

S.E.E.S. #	Otis #	Description
OPB-1	7035A8	Switch, Single (making-breaking) contact
OPB-2	7035A9	Switch, Single (making) contact
OPB-4	7035A11	Switch, Double (making) contact
OPB-5	7035A10	Switch, Double (making-breaking) contact
OPB-3	7035A25	Switch, Single (breaking) contact
OPB-6	7035A28	Switch, Single (making) contact with lamp assembly
OPB-7	7035A12	Switch, Single (make-break) contact, with plastic button 3/4" dia. x 3/4" long
OPB-8	7035A14	Switch, Single (make-break) contact with plastic button 3/4" dia. x 3/8" long



## Car Signal Components

OTIS



OB-9A



OB-10



OB-11



OB-11C



OB-11A

### S.E.E.S. # Description

OB-9	<b>Direction indicator panel</b> , stainless steel plate 1/8" x 3-3/8" x 10", with two triangular cutouts for up and down arrows
OB-9A	<b>Direction indicator panel</b> , as above but with one triangular cutout for up or down arrow (shown)
OB-10	<b>Direction indicator</b> , white frosted arrow 2-3/8" with red plastic back plate, 2-5/8" square
OB-11	<b>Direction indicator</b> , white frosted arrow 2-3/8" with green plastic back plate, 2-5/8" square
OB-11B	<b>Direction indicator</b> , 2" frosted arrow on clear backing plate, 2-1/4" wide x 2" high
OB-11C	<b>Direction indicator</b> , 2" frosted arrow on red backing plate, 2-1/4" wide x 2" high
OB-11A	<b>Direction indicator</b> , with clear arrow 2-3/8" on backing plate, 2-5/8" square white markings, 5/16" I.D., 1/4" thick, specify marking i.e. OB-6-LIGHT OFF ON



OB-42



OB-42B



OB-44



OB-44A



OB-43A



OB-5



OB-6

### S.E.E.S. # Otis # Description

OB-42	449AA2	<b>Jewel, Hall lantern</b> , white arrow on red
OB-42A	449AA3	<b>Jewel, Hall lantern</b> , white arrow on white
OB-42B	449AA1	<b>Jewel, Hall lantern</b> , white arrow on green
OB-43	449AM3	<b>Chevron arrow</b> , white on clear plate
OB-43A	449AM2	<b>Chevron arrow</b> , white on red plate
OB-44	449BB3	<b>Lens cover</b> , Position indicator, black "up" arrow on white molded plastic
OB-44A	449BB2	<b>Lens cover</b> , Position indicator, black "down" arrow on white molded plastic
OB-5-	340AA2, 340AA3	<b>Indicator ring</b> , 1" O.D., black or red with white markings, 1/2" I.D., 3/16" thick specify marking i.e. OB-5-OFF-ON-EMERG.
OB-6-	329J4	<b>Indicator ring</b> , 3/4" O.D., black with white markings, 5/16" I.D., 1/4" thick, specify marking i.e. OB-6-LIGHT OFF ON



www.seesinc.com

## Car Signal Components



OSS-1



OSS-6



OSS-7

### Emergency Stop Switches

S.E.E.S. #	Otis #	Description
OSS-1	A7014B1	Button, 1" dia. without collar
OSS-2	A7014B5	Button, 1" dia. with collar
OSS-3	GS17014B1	Button, 3/4" dia. for GS17014A1
OSS-4	GS17014B2	Button, 3/4" dia. with spring
OSS-6	7014A9	Switch, with 1" dia. red phenolic button with collar and auxiliary contact marked "PUSH TO STOP/PULL TO RUN"
OSS-9	7014A10	Switch, with 1" dia. red phenolic button and collar without auxiliary contact marked "PUSH TO STOP/PULL TO RUN"
OSS-7	7014A1	Switch, without collar, with auxiliary contact marked "PUSH TO STOP/PULL TO RUN" with red phenolic button 1" dia.
OSS-8	7014A2	Switch, without collar, no auxiliary contact marked "PUSH TO STOP/PULL TO RUN" with red phenolic button 1" diameter
OSS-10	GS17014A1	Switch, with auxiliary contact, with red phenolic button 3/4" dia.
OSS-11	GS17014A2	Switch, without auxiliary contact, with red phenolic button 3/4" dia.
OSS-12	GS17014A3	Switch, with auxiliary contact, self returning, with red phenolic button 3/4" dia.
OSS-13	GS17014A4	Switch, without auxiliary contact self returning, with red phenolic button 3/4" dia.



OSS-10



OSS-14



OSS-15



OSS-16



OSS-17



OSS-5

### Emergency Stop Switch Components

S.E.E.S. #	Otis #	Description
OSS-5	6800DJ1	Mounting base for stop switch
OSS-14	94AA1	Spring
OSS-15	323BR1	Button collar
OSS-16	150AY2	Stationary contact for stop switch
OSS-17	150R12	Movable contact for stop switch
OSS-19	A323AY3	Button for stop switch, 1-1/32"
OSS-20	90FE2	Compression spring for collar



OSS-20



OSS-19



## Car Signal Components

OTIS



### Single Stroke Gongs

S.E.E.S. #	Otis #	Resistance	Description/Gong Application
OB-51A**	311B1	840. ohms	<b>Gong</b> , Across the line, 115VAC
OB-51B*	311B2	32. ohms	<b>Gong</b> , In series with 25 watt lamp, 115VAC
OB-51C*	311B3	14. ohms	<b>Gong</b> , In series with 40 watt lamp or two 25 watt lamps in parallel, 115VAC
OB-51**	311B4	2130. ohms	<b>Gong</b> , Across the line, 115VDC
OB-51D*	311B5	80. ohms	<b>Gong</b> , In series with 25 watt lamp, 115VDC
OB-51E*	311B6	50. ohms	<b>Gong</b> , In series with 40 watt lamp or two 25 watt lamps in parallel, 115VDC

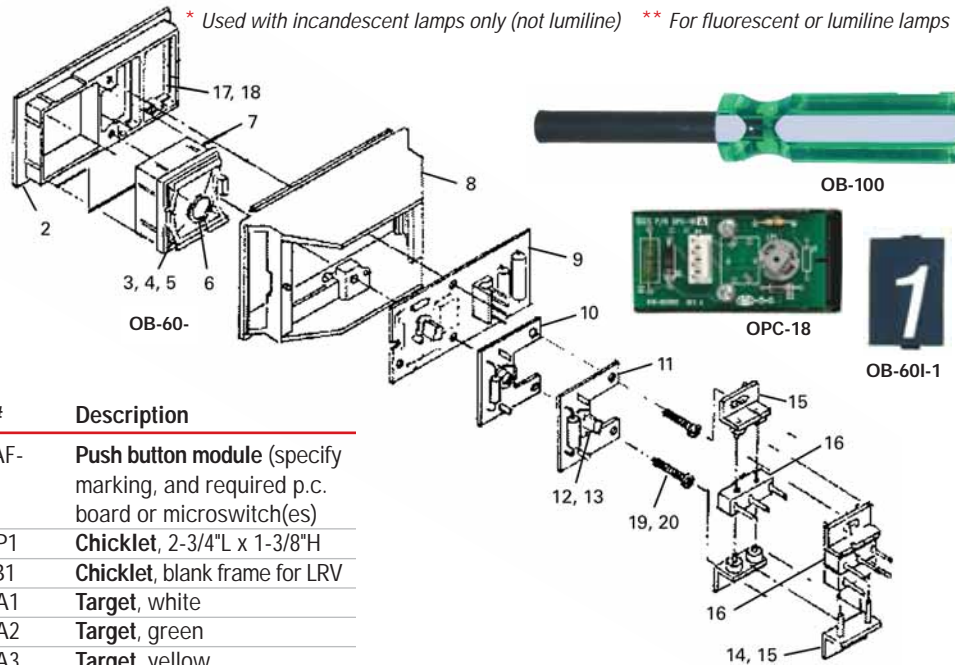
\* Used with incandescent lamps only (not lumiline) \*\* For fluorescent or lumiline lamps



OB-60-OPEN



OB-60-BLANK



### Button Module

Fig. S.E.E.S. #	Otis #	Description
1 OB-60-	7069AF-	Push button module (specify marking, and required p.c. board or microswitch(es))
2 OB-61	396BP1	Chicklet, 2-3/4"L x 1-3/8"H
OB-61-BLANK	396LB1	Chicklet, blank frame for LRV
3 OB-64	323DA1	Target, white
4 OB-64A	323DA2	Target, green
5 OB-64B	323DA3	Target, yellow
6 OB-65	278EA1	Reflector
7 OB-66	94FA1	Button spring, S/S, 61/64
8 OB-67	396VB1	Housing
9 OPC-18	8200KA1	PC Board, Button Board w/ 28V, #85 lamp & socket (hall)
OPC-18A	8200KA2	PC Board, Button Board w/ 28V, #85 lamp & socket (car)
OPC-18B	8200KA3	PC Board, Button Board w/ 28V, orange LED & socket (hall)
OPC-18C	936-003090	Button, car, LED w/ white PCB assembly A26800PZ1
OPC-18D	936-003091	PC Board Assembly, Hall stat. LED org. 2/BTN A26800PZ2
10 OPC-20	8200AL3	Neon Lamp PC Board with 120V neon lamp
11 OPC-19	8200AL1	Lamp PC Board with 28V #85 lamp and socket
12 OB-62	467AT1	Socket, #85 for 28V lamp,
13 ML-108	424R1	Lamp, #85 for 28V, .04 amps,
ML-108-LED-O	AAA629AY3	Lamp, orange LED replacement for #85 lamp

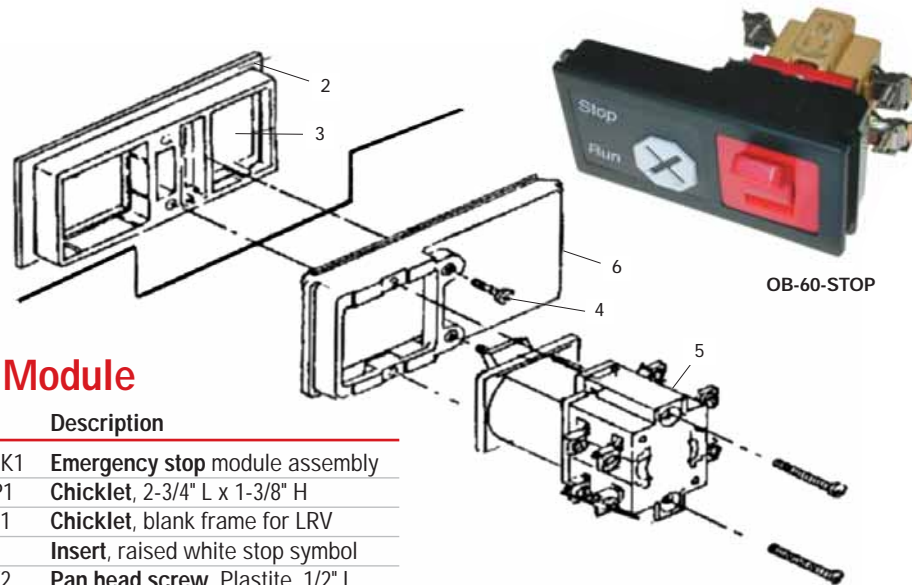
Fig. S.E.E.S. #	Otis #	Description
14 OB-68	180DA1	Double switch holder, 2 pins, 15/64"L
15 OB-69	180DA2	Single switch holder, 2 pins, 1/8"L
16 OB-70	177DA1	Microswitch, 5 Amps, 125/250VAC
17 OB-60I-	250D--	Single graphic insert, 21/32"L x 15/16"H, (specify marking)
8 OB-60I-	250E--	Double graphic insert, 1-5/16"Lx15/16"H, (specify marking)
19 OB-66A	124CY2	Pan head screw, Plastite, 1/2"L
20 OB-66B	124CY4	Pan head screw, Plastite, 3/4"L
OB-100	MT-105024	Tool, manual driver for security fasteners used on LRV car panels

International symbols are now being supplied for some markings. Available in Vandle Proof as Special Order



www.seesinc.com

## Car Signal Components

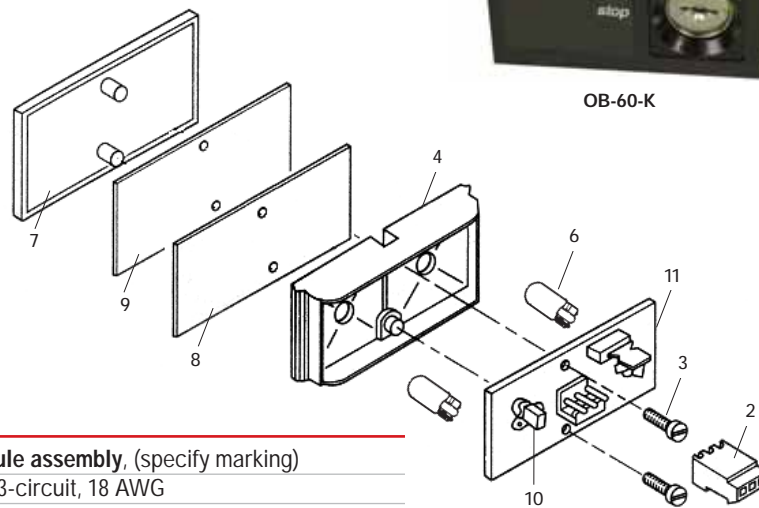


### Emergency Stop Module

Fig.	S.E.E.S. #	Otis #	Description
1	OB-60-STOP	7069AK1	Emergency stop module assembly
2	OB-61	396BP1	Chicklet, 2-3/4" L x 1-3/8" H
	OB-61-BLANK	396LB1	Chicklet, blank frame for LRV
3	OB-60I-STOP	250E7	Insert, raised white stop symbol
4	OB-66A	124CY2	Pan head screw, Plastite, 1/2" L
5	OB-60A	6073F1	Paddle Switch 4 Pole Red
6	OB-61A	396WB1	Stop Switch Housing

### Emergency Stop Keyswitch

S.E.E.S. #	Otis #	Description
OB-60K	7069AH60	Keyswitch Module, "STOP-RUN", REM, 2 position



### Jewel Module

Fig.	S.E.E.S. #	Otis #	Description
1	OB-80-	7069AG-	Jewel module assembly, (specify marking)
2	OB-71A	P614AS1	Connector, 3-circuit, 18 AWG
	OB-71	P164AS2	Connector, 4-circuit
3	OB-66B	124CY4	Pan head screw, Plastite, 18 mm
4, 5	OB-81	278FA1, A2	Jewel reflector, with shield, white, 2-55/64" x 1-23/24"
6	ML-108	424R1	Lamp, incandescent, wedge base, 28V
7	OB-63A	443CB1	Lens, red, 2-3/4" x 1-3/8"
	OB-63	443CH1	Lens, green, 8-1/2" x 8"
	OB-63C		Lens, clear, 2-3/4" x 1-3/8"
8	OB-83	443CP1	Lens spacer, for flat fixtures, clear
9	OB-80I-	449BJ3	Mask, (specify marking)
10	OB-62	467AT1	Lamp socket, Type 85
11	OPC-17	8200JA1	P.C. Board with lamps and sockets



954.971.1115 / fax 954.917.7337

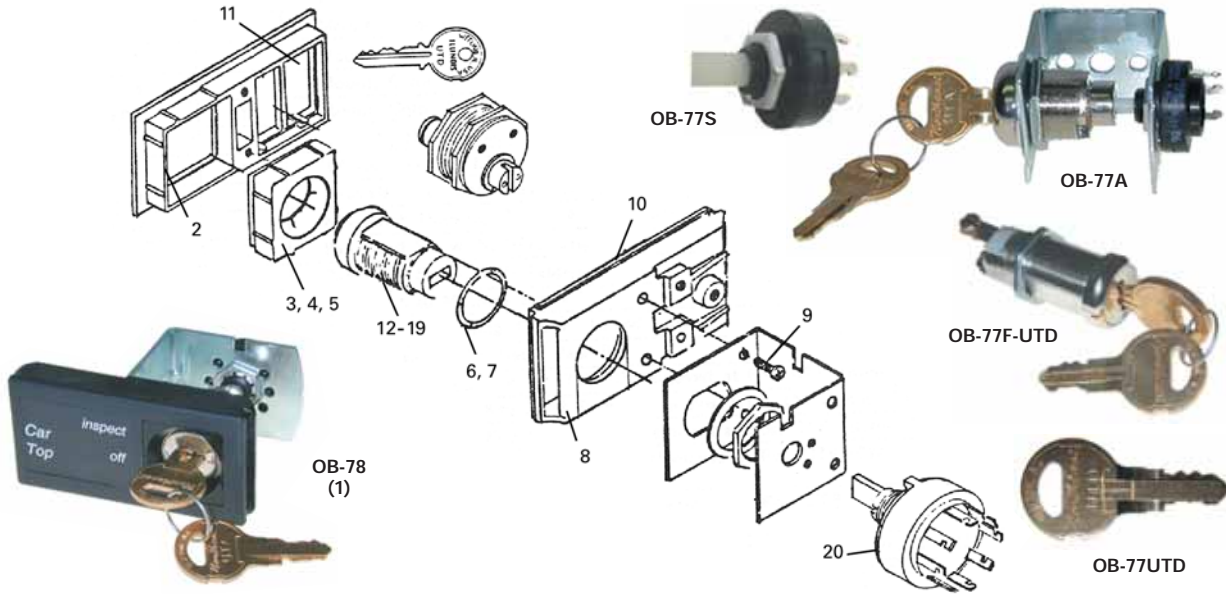
1.800.526.0026

OTIS



## Car Signal Components

OTIS



### Keyswitch Module

Fig.	S.E.E.S. #	Otis #	Description
1	OB-78	7069AH33	Keyswitch module, Inspection Initiation
	OB-78A	7069AH34	Keyswitch module, Independent Service
	OB-78B	7069AH35	Keyswitch module, Hospital Service
	OB-78C	7069AH36	Keyswitch module, SES Phase II ANSI
	OB-78D	7069AH42	Keyswitch module, fan, 2-speed
	OB-78E	7069AH43	Keyswitch module, emergency power
	OB-78F	7069AH58	Keyswitch module, Fire Service, 3 pos. ON/OFF/HOLD
	OB-78G	7069AH48	Keyswitch module, Fire Service, 3 pos. ON/OFF/BYPASS
	OB-78H	7069AH21	Keyswitch module, 2 pos. LIGHT OFF/ON
2	OB-61	396PB1	Chicklet, color black, 2-3/4" L x 1-3/8" H
3	OB-72	396XB1	Mount, color blue
4	OB-72A	396XB2	Mount, color red
5	OB-72B	396XB3	Mount, color black
6	OB-73	182H7	O-ring, 35/64" I.D.
7	OB-73A	182H8	O-ring, 47/64" I.D.
8	OB-74	396KC1	Keyswitch housing, black
9	OB-75	124CY1	Pan head screw, self-tapping
10	OB-76	316DMD2	Bracket, maintaining, double-keyed cutout
11	OB-60I-	250E--	Double insert, (specify marking)
12	OB-77A	6410W23	Keyswitch assembly, removed at CTR-CW, key 6410W-UTA (includes A,B, & C)
13	OB-77B	6410W24	Keyswitch assembly, removed at CTR-CW, key 6410W-UTD (includes A,B, & C)
14	OB-77C	6410W25	Keyswitch assembly, 2 position, removed at CTR, key 6410W-UTF (includes A,B, & C)
15	OB-77D	6410W27	Keyswitch assembly, removed at CCW-CTR-CW, key 6410W-UTA (includes A,B, & C)
16	OB-77E	6410W28	Keyswitch assembly, removed at CCW-CTR-CW, key 6410W-UTA (includes A,B, & C)
17	OB-77F	6410W1	Keyswitch assembly, 2 position, spring return to CTR off, key J200 (includes A,B, & C)
	OB-77F-UTD	6410W1UTD	Keyswitch assembly, spring return, UTD key
18	OB-77G	6410W30	Keyswitch assembly, 3 pos. removed at CCW-CTR-CW, key 6410W-UTF (incl. A,B, & C)
19	OB-77H	6410W7	Keyswitch assembly, 3 position, removed at CTR-CW, key 6410W-UTF (incl. A,B, & C)
20	OB-77S	177CC5	Switch, 3 position, 8 pin, 2 pole
	OB-77-UTA	6410WUTA	Key, UTA
	OB-77-UTD	6410WUTD	Key, UTD
	OB-77-UTF	6410WUTF	Key, UTF



www.seesinc.com

## Coils

25/64" I.D. x 1" O.D. x 1-1/32" L

S.E.E.S. #	Otis #	Resistance
OC-214	222A2	62 Ohms



OC-214



OC-1 thru OC-3

27/32" I.D. x 1-15/16" O.D. x 1-7/8" L

S.E.E.S. #	Otis #	Resistance
OC-1	222CC1	21 Ohms
OC-2	222CC2	25 Ohms
OC-3	222CC3	35 Ohms

25/32" I.D. x 1-5/8" O.D. x 1-7/8" L

S.E.E.S. #	Otis #	Resistance
OC-4	222CD1	1690 Ohms
OC-5	222CD2	1118 Ohms
OC-6	222CD3	242 Ohms
OC-7	222CD4	455 Ohms
OC-8	222CD5	119 Ohms



OC-4 thru OC-8



OC-36 thru OC-38

1-13/32" I.D. x 3-1/16" O.D. x 2-23/32" L

S.E.E.S. #	Otis #	Resistance
OC-36	222CM1	806 Ohms
OC-37	222CM2	204 Ohms
OC-38	222CM3	510 Ohms

1-1/32" I.D. x 2" O.D. x 2-15/32" L

S.E.E.S. #	Otis #	Resistance
OC-9	222CV1	1410 Ohms
OC-10	222CV2	231 Ohms
OC-11	222CV3	900 Ohms
OC-12	222CV4	375 Ohms
OC-13	222CV5	900 Ohms
OC-14	222CV6	375 Ohms
OC-15	222CV7	2230 Ohms
OC-16	222CV8	155 Ohms



OC-9 thru OC-16

OC-17, OC-18

21/32" I.D. x 1-13/32" O.D. x 1-15/32" L

S.E.E.S. #	Otis #	Resistance
OC-17	222CX1	X=3233 Ohms Y=162 Ohms
OC-18	222CX2	X=1753 Ohms Y=1649 Ohms

■ X=Inner winding resistance.  
Y=Outer winding resistance.



## Coils



OC-19 thru OC-29



OC-30 thru OC-35



OC-39



OC-189 thru OC-201

21/32" I.D. x 1-13/32" O.D. x 1-15/32" L

S.E.E.S. #	Otis #	Resistance	
OC-19	222CY1	3384	Ohms
OC-20	222CY2	1488	Ohms
OC-21	222CY3	213	Ohms
OC-22	222CY4	49	Ohms
OC-23	222CY5	9	Ohms
OC-24	222CY6	0.1	Ohms
OC-25	222CY7	870	Ohms
OC-26	222CY8	2	Ohms
OC-27	222CY9	116	Ohms
OC-28	222CY10	386	Ohms
OC-29	222CY11	1110	Ohms

21/32" I.D. x 1-13/32" O.D. x 1-15/32" L

S.E.E.S. #	Otis #	Resistance	
OC-30	222CZ1	X=1753	Ohms
		Y=1649	Ohms
OC-31	222CZ2	X=968	Ohms
		Y=509	Ohms
OC-32	222CZ3	X=3233	Ohms
		Y=162	Ohms
OC-33	222CZ4	X=1075	Ohms
		Y=0.31	Ohms
OC-34	222CZ5	X=634	Ohms
		Y=821	Ohms
OC-35	222CZ6	X=0.73	Ohms
		Y=1475	Ohms

1-1/32" I.D. x 2" O.D. x 2-15/32" L

S.E.E.S. #	Otis #	Resistance	
OC-39	222DE1	X=477	Ohms
		Y=108	Ohms

21/32" I.D. x 1-5/16" O.D. x 1-7/16" L

S.E.E.S. #	Otis #	Resistance	
OC-189	222DF1	0.002	Ohms
OC-190	222DF2	0.005	Ohms
OC-191	222DF3	0.008	Ohms
OC-192	222DF4	0.01	Ohms
OC-193	222DF5	0.02	Ohms
OC-194	222DF6	0.04	Ohms
OC-195	222DF7	0.25	Ohms
OC-196	222DF8	0.003	Ohms
OC-197	222DF9	0.09	Ohms
OC-198	222DF10	0.03	Ohms
OC-199	222DF11	0.05	Ohms
OC-200	222DF12	0.2	Ohms
OC-201	222DF13	0.26	Ohms

■ X=Inner winding resistance.  
Y=Outer winding resistance.